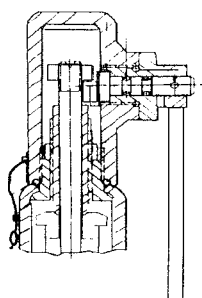
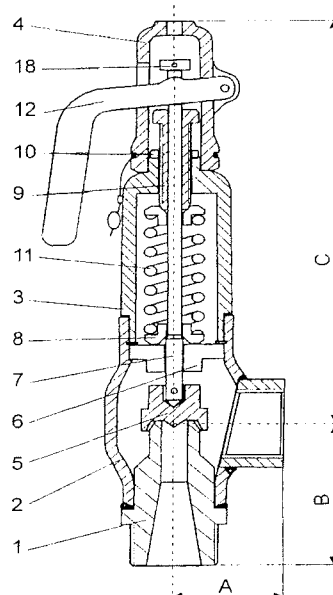


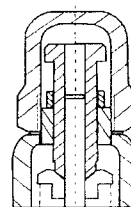
**KOMPOTEK SÄKERHETSVENTIL TYP 1416
AV KOLSTÅL ELLER ROSTFRITT STÅL.
SÄTESTÄTNING AV METALL, VITON ELLER PTFE.
GÅNGADE ANSLUTNINGAR
TRYCKKLASS PN16 TILL PN40.**

TEMPERATUR MAX.	120°C	200°C	250°C	300°C	350°C
Enligt/EN 1092 Tryck (bar) PN-16	16	13	11	10	-
Enligt/EN 1092 Tryck (bar) PN-40	40	35	32	28	24

Nr	Benämning	Material	
		1416-CS	1416-SS
1	Inloppsstuts	Kolstål + AISI-308L	AISI-316L
2	Hus	ASTM A106Gr.b	AISI-316L
3	Öppet fjäderhus	GGG40	AISI-316L
	Stängt fjäderhus	ASTM A106Gr.b	
4	Öppen huv	Mässing	Mässing, förzink.
	Tätt huv	Mässing / Kolstål	AISI-303
5	Kägla	AISI-420	AISI-316L
	O-Ring	Viton / PTFE	Viton / PTFE
6	Styrning	Kolstål, förzinkad	AISI-316L
7	Axel	AISI-420	AISI-316L
8	Fjäderbricka	Kolstål, förzinkad	AISI-303
9	Ställskruv	Mässing / AISI-303	AISI-303
10	Låsmutter	Mässing / AISI-303	AISI-303
11	Fjäder	DIN1.7221 51CrV4	AISI-302
12	Spak	Mässing	Mässing, förzink.
17	Lättmutter	Kolstål	AISI-304
18	Brytpinne	Kolstål	AISI-304
20	Tätning	PTFE	PTFE
21	Tätning	Buna/Viton	PTFE



Med tätt lättverk



Gastät Huv

Dimensionstabell

Inlopp	Utlopp	Öppning (mm)	Area (mm ²)	A	B	C		Vikt (kg)	
						Med spak	Utan spak	Med spak	Utan spak
1"	1 1/2"	22	380	55	93	270	232	5,5	5,3
1 1/4"	1 1/2"	23,8	445	55	93	271	232	5,5	5,3
1 1/2"	1 1/2"	23,8	445	55	93	271	232	5,7	5,5
1 1/2"	2"	36	1018	65	98	308	266	10,0	10,2
2"	2"	46	1662	65	98	308	266	10,2	10,0
2"	2 1/2"	46	1662	100	115	310	268	10,7	10,5
2 1/2"	2 1/2"	46	1662	100	115	310	268	10,7	10,5
3"	3"	46	1662	77	112	270	305	12,3	12,0
3"	4"	60	2827	116	148	384	331	15,8	15,0
4"	4"	60	2827	116	154	384	331	17,3	17,0

9/7

KOMPOTEK

Ventiler och ventilautomation

KOMPOTEK SÄKERHETSVENTIL TYP 1416 PN16/40

Kapacitetstabell vatten (kg/h).

Övertryck 10%.

	Size threaded BSP/NPT									
	1"x1½"	1¼x1½	1½x1½	1½"x2"	2" x 2"	2"x2½"	2½x2½	3" x 3"	3" x 4"	4" x4"
	Orifice (mm)									
Set gauge pressure (barg)	22	23,8	23,8	36	46	46	46	46	60	60
	Area (mm ²)									
	380	445	445	1.018	1.662	1.662	1.662	1.662	2.827	2.827
0,5	7.751	9.071	9.071	20.754	33.885	33.885	33.885	33.885	57.649	57.649
1	10.961	12.828	12.828	29.350	47.920	47.920	47.920	47.920	81.528	81.528
1,5	13.424	15.711	15.711	35.946	58.690	58.690	58.690	58.690	99.851	99.851
2	15.501	18.142	18.142	41.507	67.770	67.770	67.770	67.770	115.298	115.298
2,5	17.331	20.283	20.283	46.407	75.769	75.769	75.769	75.769	128.907	128.907
3	18.985	22.219	22.219	50.836	83.001	83.001	83.001	83.001	141.211	141.211
3,5	20.506	23.999	23.999	54.909	89.651	89.651	89.651	89.651	152.525	152.525
4	21.922	25.656	25.656	58.700	95.841	95.841	95.841	95.841	163.056	163.056
4,5	23.252	27.212	27.212	62.261	101.655	101.655	101.655	101.655	172.947	172.947
5	24.510	28.684	28.684	65.629	107.153	107.153	107.153	107.153	182.303	182.303
5,5	25.706	30.084	30.084	68.832	112.383	112.383	112.383	112.383	191.201	191.201
6	26.849	31.422	31.422	71.893	117.381	117.381	117.381	117.381	199.703	199.703
6,5	27.945	32.705	32.705	74.829	122.174	122.174	122.174	122.174	207.857	207.857
7	29.000	33.940	33.940	77.653	126.786	126.786	126.786	126.786	215.703	215.703
7,5	30.018	35.131	35.131	80.379	131.236	131.236	131.236	131.236	223.274	223.274
8	31.002	36.283	36.283	83.015	135.540	135.540	135.540	135.540	230.597	230.597
8,5	31.957	37.400	37.400	85.570	139.711	139.711	139.711	139.711	237.694	237.694
9	32.883	38.484	38.484	88.050	143.761	143.761	143.761	143.761	244.585	244.585
9,5	33.784	39.539	39.539	90.463	147.701	147.701	147.701	147.701	251.287	251.287
10	34.662	40.566	40.566	92.813	151.538	151.538	151.538	151.538	257.815	257.815
11	36.354	42.546	42.546	97.343	158.934	158.934	158.934	158.934	270.399	270.399
12	37.970	44.438	44.438	101.672	166.001	166.001	166.001	166.001	282.422	282.422
13	39.521	46.252	46.252	105.824	172.780	172.780	172.780	172.780	293.954	293.954
14	41.012	47.998	47.998	109.818	179.302	179.302	179.302	179.302	305.051	305.051
15	42.452	49.683	49.683	113.673	185.595	185.595	185.595	185.595	315.757	315.757
16	43.844	51.312	51.312	117.401	191.682	191.682	191.682	191.682	326.113	326.113
17	45.193	52.891	52.891	121.014	197.581	197.581	197.581	197.581	336.149	336.149
18	46.504	54.425	54.425	124.522	203.309	203.309	203.309	203.309	345.895	345.895
19	47.778	55.916	55.916	127.934	208.881	208.881	208.881	208.881	355.373	355.373
20	49.019	57.369	57.369	131.258	214.307	214.307	214.307	214.307	364.605	364.605
21	50.230	58.785	58.785	134.499	219.599	219.599	219.599	219.599	373.609	373.609
22	51.412	60.169	60.169	137.664	224.767	224.767	224.767	224.767	382.401	382.401
23	52.567	61.521	61.521	140.758	229.819	229.819	229.819	229.819	390.996	390.996
24	53.698	62.844	62.844	143.786	234.761	234.761	234.761	234.761	399.405	399.405
25	54.805	64.140	64.140	146.751	239.602	239.602	239.602	239.602	407.641	407.641
26	55.890	65.410	65.410	149.657	244.347	244.347	244.347	244.347	415.714	415.714
27	56.955	66.656	66.656	152.508	249.002	249.002	249.002	249.002	423.633	423.633
28	58.000	67.879	67.879	155.306	253.571	253.571	253.571	253.571	431.407	431.407
29	59.027	69.081	69.081	158.055	258.060	258.060	258.060	258.060	439.043	439.043
30	60.036	70.262	70.262	160.757	262.471	262.471	262.471	262.471	446.548	446.548
31	61.028	71.423	71.423	163.415	266.810	266.810	266.810	266.810	453.930	453.930
32	62.005	72.566	72.566	166.030	271.079	271.079	271.079	271.079	461.193	461.193
33	62.966	73.691	73.691	168.604	275.282	275.282	275.282	275.282	468.344	468.344
34	63.913	74.800	74.800	171.139	279.422	279.422	279.422	279.422	475.387	475.387
35	64.846	75.892	75.892	173.638	283.501	283.501	283.501	283.501	482.327	482.327
36	65.766	76.968	76.968	176.101	287.523	287.523	287.523	287.523	489.169	489.169
37	66.673	78.030	78.030	178.530	291.489	291.489	291.489	291.489	495.917	495.917
38	67.568	79.077	79.077	180.927	295.402	295.402	295.402	295.402	502.574	502.574
39	68.452	80.111	80.111	183.292	299.263	299.263	299.263	299.263	509.144	509.144
40	69.324	81.131	81.131	185.627	303.076	303.076	303.076	303.076	515.630	515.630

10/7

KOMPOTEK

Ventiler och ventilautomation

KOMPOTEK SÄKERHETSVENTIL TYP 1416 PN16/40

**Kapacitetstabell luft (kg/h).
Övertryck 10%, temperatur 20°C.**

Set gauge pressure (barg)	Size threaded BSP/NPT									
	1"x1 1/2"	1 1/4"x1 1/2"	1 1/2"x1 1/2"	1 1/2"x2"	2" x 2"	2"x2 1/2"	2 1/2"x2 1/2"	3" x 3"	3" x 4"	4" x 4"
	Orifice (mm)									
	22	23,8	23,8	36	46	46	46	46	60	60
	Area (mm ²)									
	380	445	445	1.018	1.662	1.662	1.662	1.662	2.827	2.827
0,5	322	377	377	863	1.410	1.410	1.410	1.410	2.398	2.398
1	436	510	510	1.167	1.906	1.906	1.906	1.906	3.242	3.242
1,5	549	643	643	1.471	2.402	2.402	2.402	2.402	4.086	4.086
2	663	776	776	1.775	2.898	2.898	2.898	2.898	4.930	4.930
2,5	776	909	909	2.079	3.394	3.394	3.394	3.394	5.774	5.774
3	890	1.041	1.041	2.383	3.890	3.890	3.890	3.890	6.618	6.618
3,5	1.003	1.174	1.174	2.686	4.386	4.386	4.386	4.386	7.462	7.462
4	1.117	1.307	1.307	2.990	4.882	4.882	4.882	4.882	8.306	8.306
4,5	1.230	1.440	1.440	3.294	5.378	5.378	5.378	5.378	9.150	9.150
5	1.344	1.573	1.573	3.598	5.874	5.874	5.874	5.874	9.994	9.994
5,5	1.457	1.705	1.705	3.902	6.370	6.370	6.370	6.370	10.838	10.838
6	1.571	1.838	1.838	4.206	6.867	6.867	6.867	6.867	11.682	11.682
6,5	1.684	1.971	1.971	4.509	7.363	7.363	7.363	7.363	12.526	12.526
7	1.798	2.104	2.104	4.813	7.859	7.859	7.859	7.859	13.370	13.370
7,5	1.911	2.237	2.237	5.117	8.355	8.355	8.355	8.355	14.214	14.214
8	2.024	2.369	2.369	5.421	8.851	8.851	8.851	8.851	15.058	15.058
8,5	2.138	2.502	2.502	5.725	9.347	9.347	9.347	9.347	15.902	15.902
9	2.251	2.635	2.635	6.029	9.843	9.843	9.843	9.843	16.746	16.746
9,5	2.365	2.768	2.768	6.332	10.339	10.339	10.339	10.339	17.590	17.590
10	2.478	2.900	2.900	6.636	10.835	10.835	10.835	10.835	18.434	18.434
11	2.705	3.166	3.166	7.244	11.827	11.827	11.827	11.827	20.122	20.122
12	2.932	3.432	3.432	7.852	12.819	12.819	12.819	12.819	21.810	21.810
13	3.159	3.697	3.697	8.459	13.812	13.812	13.812	13.812	23.498	23.498
14	3.386	3.963	3.963	9.067	14.804	14.804	14.804	14.804	25.186	25.186
15	3.613	4.228	4.228	9.675	15.796	15.796	15.796	15.796	26.874	26.874
16	3.840	4.494	4.494	10.282	16.788	16.788	16.788	16.788	28.562	28.562
17	4.067	4.760	4.760	10.890	17.780	17.780	17.780	17.780	30.250	30.250
18	4.294	5.025	5.025	11.498	18.772	18.772	18.772	18.772	31.938	31.938
19	4.521	5.291	5.291	12.105	19.764	19.764	19.764	19.764	33.626	33.626
20	4.748	5.556	5.556	12.713	20.757	20.757	20.757	20.757	35.314	35.314
21	4.975	5.822	5.822	13.321	21.749	21.749	21.749	21.749	37.001	37.001
22	5.202	6.088	6.088	13.928	22.741	22.741	22.741	22.741	38.689	38.689
23	5.429	6.353	6.353	14.536	23.733	23.733	23.733	23.733	40.377	40.377
24	5.655	6.619	6.619	15.144	24.725	24.725	24.725	24.725	42.065	42.065
25	5.882	6.884	6.884	15.751	25.717	25.717	25.717	25.717	43.753	43.753
26	6.109	7.150	7.150	16.359	26.709	26.709	26.709	26.709	45.441	45.441
27	6.336	7.416	7.416	16.967	27.701	27.701	27.701	27.701	47.129	47.129
28	6.563	7.681	7.681	17.574	28.694	28.694	28.694	28.694	48.817	48.817
29	6.790	7.947	7.947	18.182	29.686	29.686	29.686	29.686	50.505	50.505
30	7.017	8.212	8.212	18.790	30.678	30.678	30.678	30.678	52.193	52.193
31	7.244	8.478	8.478	19.397	31.670	31.670	31.670	31.670	53.881	53.881
32	7.471	8.743	8.743	20.005	32.662	32.662	32.662	32.662	55.569	55.569
33	7.698	9.009	9.009	20.612	33.654	33.654	33.654	33.654	57.257	57.257
34	7.925	9.275	9.275	21.220	34.646	34.646	34.646	34.646	58.945	58.945
35	8.152	9.540	9.540	21.828	35.639	35.639	35.639	35.639	60.633	60.633
36	8.379	9.806	9.806	22.435	36.631	36.631	36.631	36.631	62.321	62.321
37	8.606	10.071	10.071	23.043	37.623	37.623	37.623	37.623	64.009	64.009
38	8.833	10.337	10.337	23.651	38.615	38.615	38.615	38.615	65.697	65.697
39	9.059	10.603	10.603	24.258	39.607	39.607	39.607	39.607	67.385	67.385
40	9.286	10.868	10.868	24.866	40.599	40.599	40.599	40.599	69.073	69.073

11/7

KOMPOTEK

Ventiler och ventilautomation

KOMPOTEK SÄKERHETSVENTIL TYP 1416 PN16/40

Kapacitetstabell ånga (kg/h).
Övertryck 10%.

Set gauge pressure (barg)	Saturated steam Temp. (°C)	Size threaded BSP/NPT									
		1"x1½"	1¼"x1½"	1½"x1½"	1½"x2"	2" x 2"	2"x2½"	2½"x2½"	3" x 3"	3" x 4"	4" x 4"
		Orifice (mm) Area (mm²)									
		22	23,8	23,8	36	46	46	46	46	60	60
		380	445	445	1.018	1.662	1.662	1.662	1.662	2.827	2.827
0,5	111	200	234	234	535	873	873	873	873	1.485	1.485
1	120	270	316	316	723	1.180	1.180	1.180	1.180	2.007	2.007
1,5	127	340	398	398	911	1.487	1.487	1.487	1.487	2.530	2.530
2	134	410	480	480	1.099	1.794	1.794	1.794	1.794	3.052	3.052
2,5	138	481	562	562	1.287	2.101	2.101	2.101	2.101	3.575	3.575
3	144	551	645	645	1.475	2.408	2.408	2.408	2.408	4.097	4.097
3,5	147	621	727	727	1.663	2.715	2.715	2.715	2.715	4.620	4.620
4	153	691	809	809	1.851	3.023	3.023	3.023	3.023	5.142	5.142
4,5	155	762	891	891	2.039	3.330	3.330	3.330	3.330	5.665	5.665
5	159	832	974	974	2.227	3.637	3.637	3.637	3.637	6.187	6.187
5,5	161	902	1.056	1.056	2.416	3.944	3.944	3.944	3.944	6.710	6.710
6	165	972	1.138	1.138	2.604	4.251	4.251	4.251	4.251	7.232	7.232
6,5	167	1.043	1.220	1.220	2.792	4.558	4.558	4.558	4.558	7.755	7.755
7	170	1.113	1.302	1.302	2.980	4.865	4.865	4.865	4.865	8.277	8.277
7,5	172	1.183	1.385	1.385	3.168	5.172	5.172	5.172	5.172	8.800	8.800
8	175	1.253	1.467	1.467	3.356	5.480	5.480	5.480	5.480	9.323	9.323
8,5	177	1.324	1.549	1.549	3.544	5.787	5.787	5.787	5.787	9.845	9.845
9	180	1.394	1.631	1.631	3.732	6.094	6.094	6.094	6.094	10.368	10.368
9,5	181	1.464	1.713	1.713	3.920	6.401	6.401	6.401	6.401	10.890	10.890
10	184	1.534	1.796	1.796	4.109	6.708	6.708	6.708	6.708	11.413	11.413
11	187	1.675	1.960	1.960	4.485	7.322	7.322	7.322	7.322	12.458	12.458
12	192	1.815	2.125	2.125	4.861	7.937	7.937	7.937	7.937	13.503	13.503
13	194	1.956	2.289	2.289	5.237	8.551	8.551	8.551	8.551	14.548	14.548
14	198	2.096	2.453	2.453	5.613	9.165	9.165	9.165	9.165	15.593	15.593
15	201	2.237	2.618	2.618	5.990	9.779	9.779	9.779	9.779	16.638	16.638
16	204	2.377	2.782	2.782	6.366	10.393	10.393	10.393	10.393	17.683	17.683
17	207	2.518	2.947	2.947	6.742	11.008	11.008	11.008	11.008	18.728	18.728
18	209	2.658	3.111	3.111	7.118	11.622	11.622	11.622	11.622	19.773	19.773
19	212	2.799	3.276	3.276	7.494	12.236	12.236	12.236	12.236	20.818	20.818
20	215	2.939	3.440	3.440	7.871	12.850	12.850	12.850	12.850	21.863	21.863
21	217	3.080	3.604	3.604	8.247	13.465	13.465	13.465	13.465	22.908	22.908
22	220	3.220	3.769	3.769	8.623	14.079	14.079	14.079	14.079	23.953	23.953
23	222	3.361	3.933	3.933	8.999	14.693	14.693	14.693	14.693	24.998	24.998
24	224	3.501	4.098	4.098	9.375	15.307	15.307	15.307	15.307	26.043	26.043
25	226	3.642	4.262	4.262	9.752	15.922	15.922	15.922	15.922	27.088	27.088
26	228	3.782	4.427	4.427	10.128	16.536	16.536	16.536	16.536	28.133	28.133
27	230	3.923	4.591	4.591	10.504	17.150	17.150	17.150	17.150	29.178	29.178
28	232	4.063	4.755	4.755	10.880	17.764	17.764	17.764	17.764	30.223	30.223
29	234	4.204	4.920	4.920	11.256	18.379	18.379	18.379	18.379	31.268	31.268
30	236	4.344	5.084	5.084	11.633	18.993	18.993	18.993	18.993	32.313	32.313
31	238	4.485	5.249	5.249	12.009	19.607	19.607	19.607	19.607	33.358	33.358
32	240	4.625	5.413	5.413	12.385	20.221	20.221	20.221	20.221	34.403	34.403

Kalkylerat enl. ISO EN: 4126-1 och EN: 1092-1

Rätt till ändringar förbehålles.