

4N/7

KOMPOTEK

Ventiler och ventilautomation

**KOMPOTEK SÄKERHETSVENTIL TYP 1216F AV ROSTFRITT STÅL.
SÄTESTÄTNING AV METALL, VITON ELLER PTFE.
GÄNGADE ANSLUTNINGAR, TRYCKKLASS PN40.
FÖR ÅNGA, GASER OCH VÄTSKOR.**

TEMPERATUROMRÅDE: -10°C - +350°C

MIN. ÖPPNINGSTRYCK: 0,2 Bar

ÖVERTRYCK: 10%

NEDBLÄSNING: GASER 10%

VÄTSKOR 20%

TOLERANS ÖPPNINGSTRYCK ±3%

ÖPPNINGSKOEFFICIENT: k=0,55 FÖR GASER

k=0,48 FÖR VÄTSKOR

BESTÄMMELSER

KALKYLERING: EN-4126-1/7

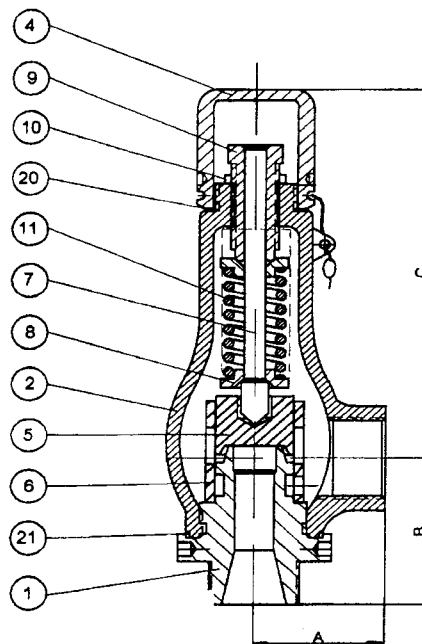
DESIGN: EN-12516-1, EN-4126-1/7

DIN 259 & ANSI B2.1

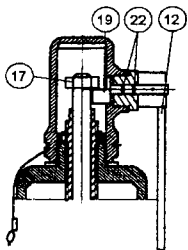
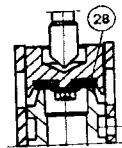
MATERIAL: EN

INSPEKTION: EN-4126-1/7

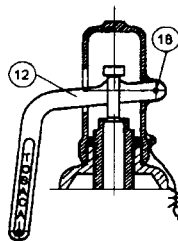
| Nr | Benämning | Material |
|----|---------------|-------------------|
| 1 | Inloppsstuts | AISI-316L |
| 2 | Hus | A351 CF-3M |
| 4 | Öppen huv | Mässing, förzink. |
| 4 | Tät huv | AISI-303 |
| 5 | Kägla | AISI-316L |
| 6 | Styrning | AISI-316L |
| 7 | Axel | AISI-316L |
| 8 | Fjäderbricka | AISI-303 |
| 9 | Ställskruv | AISI-303 |
| 10 | Låsmutter | AISI-303 |
| 11 | Fjäder | AISI-302 |
| 12 | Spak | Mässing, förzink. |
| 17 | Lätt mutter | AISI-316 |
| 18 | Spakaxel | AISI-303 |
| 19 | Lättverksaxel | AISI-303 |
| 20 | Packning | PTFE |
| 21 | Packning | PTFE |
| 22 | Packning | Viton |
| 28 | O-ring, kägla | Viton / PTFE |



Kägla, O-ring, Säte



Med tätt lättverk



Gastät Huv



94/9/EC ATEX

Dimensionstabell

| Inlopp | Utlopp | Öppning (mm) | Area (mm ²) | A | B | C | Vikt (kg) |
|--------|--------|--------------|-------------------------|----|----|-----|-----------|
| 1/2" | 3/4" | 13 | 133 | 45 | 57 | 134 | 2,2 |
| 1/2" | 1" | 13 | 133 | 45 | 57 | 134 | 2,2 |
| 3/4" | 3/4" | 14 | 154 | 45 | 57 | 134 | 2,2 |
| 3/4" | 1" | 14 | 154 | 45 | 57 | 134 | 2,2 |
| 1" | 1" | 16 | 201 | 45 | 60 | 136 | 2,2 |
| 1" | 1 1/4" | 16 | 201 | 62 | 80 | 148 | 4,2 |
| 1" | 1 1/2" | 22 | 380 | 62 | 80 | 148 | 4,6 |
| 1 1/4" | 1 1/4" | 22 | 380 | 62 | 89 | 148 | 4,6 |
| 1 1/2" | 1 1/2" | 28 | 616 | 62 | 89 | 234 | 4,6 |

5N/7

KOMPOTEK

Ventiler och ventilautomation

KOMPOTEK SÄKERHETSVENTIL TYP 1216F & 1416C

Kapacitetstabell vatten (kg/h).

Övertryck 10%.

| | Clamp/Clamp Serie 1216C | | | Clamp/Clamp Serie 1416C | | Clamp/BSP Serie 1216C | | | Clamp/BSP Serie 1416C | |
|-----------------|----------------------------|--------|---------|----------------------------|---------|--------------------------|---------|---------|--------------------------|---------|
| | 15 x 25 | 20x 25 | 25 x 25 | 25 x 25 | 40 x 40 | 15 x 1" | 20 x 1" | 25 x 1" | 25 x 1 1/2" | 40 x 2" |
| | Orifice (mm) | | | Orifice (mm) | | Orifice (mm) | | | Orifice (mm) | |
| Set gauge | 9,5 | 16 | 18 | 22,5 | 32 | 9,5 | 16 | 18 | 22,5 | 32 |
| pressure (barg) | Area (mm ²) | | | Area (mm ²) | | Area (mm ²) | | | Area (mm ²) | |
| | 71 | 201 | 254 | 398 | 804 | 71 | 201 | 254 | 398 | 804 |
| 0,5 | 1.338 | 3.796 | 4.804 | 7.506 | 15.183 | 1.338 | 3.796 | 4.804 | 7.506 | 15.183 |
| 1 | 1.892 | 5.368 | 6.794 | 10.616 | 21.472 | 1.892 | 5.368 | 6.794 | 10.615 | 21.472 |
| 1,5 | 2.318 | 6.574 | 8.321 | 13.001 | 26.298 | 2.318 | 6.574 | 8.321 | 13.001 | 26.298 |
| 2 | 2.676 | 7.591 | 9.608 | 15.013 | 30.367 | 2.676 | 7.591 | 9.608 | 15.012 | 30.366 |
| 2,5 | 2.992 | 8.487 | 10.742 | 16.785 | 33.951 | 2.992 | 8.487 | 10.742 | 16.784 | 33.950 |
| 3 | 3.278 | 9.298 | 11.767 | 18.387 | 37.191 | 3.278 | 9.298 | 11.767 | 18.386 | 37.190 |
| 3,5 | 3.540 | 10.043 | 12.710 | 19.860 | 40.171 | 3.540 | 10.043 | 12.710 | 19.860 | 40.170 |
| 4 | 3.785 | 10.736 | 13.588 | 21.231 | 42.945 | 3.785 | 10.736 | 13.588 | 21.231 | 42.944 |
| 4,5 | 4.014 | 11.387 | 14.412 | 22.519 | 45.550 | 4.015 | 11.387 | 14.412 | 22.519 | 45.549 |
| 5 | 4.232 | 12.003 | 15.191 | 23.737 | 48.014 | 4.232 | 12.003 | 15.191 | 23.737 | 48.012 |
| 5,5 | 4.438 | 12.589 | 15.933 | 24.896 | 50.357 | 4.438 | 12.589 | 15.933 | 24.895 | 50.356 |
| 6 | 4.635 | 13.149 | 16.641 | 26.003 | 52.597 | 4.636 | 13.149 | 16.641 | 26.002 | 52.595 |
| 6,5 | 4.825 | 13.686 | 17.321 | 27.065 | 54.744 | 4.825 | 13.686 | 17.321 | 27.064 | 54.743 |
| 7 | 5.007 | 14.202 | 17.975 | 28.086 | 56.811 | 5.007 | 14.202 | 17.975 | 28.086 | 56.809 |
| 8 | 5.353 | 15.183 | 19.216 | 30.026 | 60.733 | 5.353 | 15.183 | 19.216 | 30.025 | 60.732 |
| 8,5 | 5.517 | 15.650 | 19.807 | 30.950 | 62.602 | 5.517 | 15.650 | 19.807 | 30.949 | 62.601 |
| 9 | 5.677 | 16.104 | 20.381 | 31.847 | 64.417 | 5.677 | 16.104 | 20.381 | 31.846 | 64.416 |
| 10 | 5.984 | 16.975 | 21.484 | 33.570 | 67.902 | 5.985 | 16.975 | 21.484 | 33.569 | 67.900 |

Kalkylerat enl. ISO EN: 4126-1

6N/7

KOMPOTEK

Ventiler och ventilautomation

KOMPOTEK SÄKERHETSVENTIL TYP 1216F & 1416C

Kapacitetstabell luft (kg/h).

Övertryck 10%.

Temperatur 20°C.

| | Clamp/Clamp Serie 1216C | | | Clamp/Clamp Serie 1416C | | Clamp/BSP Serie 1216C | | | Clamp/BSP Serie 1416C | |
|------------------------------------|----------------------------|--------|---------|----------------------------|---------|--------------------------|---------|---------|--------------------------|---------|
| | 15 x 25 | 20x 25 | 25 x 25 | 25 x 25 | 40 x 40 | 15 x 1" | 20 x 1" | 25 x 1" | 25 x 1 1/2" | 40 x 2" |
| Set gauge pressure (barg) | Orifice (mm) | | | Orifice (mm) | | Orifice (mm) | | | Orifice (mm) | |
| | 9,5 | 16 | 18 | 22,5 | 32 | 9,5 | 16 | 18 | 22,5 | 32 |
| | Area (mm ²) | | | Area (mm ²) | | Area (mm ²) | | | Area (mm ²) | |
| | 71 | 201 | 254 | 398 | 804 | 71 | 201 | 254 | 398 | 804 |
| 0,5 | 47 | 133 | 169 | 263 | 533 | 47 | 133 | 169 | 263 | 533 |
| 1 | 64 | 180 | 228 | 356 | 721 | 64 | 180 | 228 | 356 | 721 |
| 1,5 | 80 | 227 | 287 | 449 | 908 | 80 | 227 | 287 | 449 | 908 |
| 2 | 97 | 274 | 347 | 542 | 1.096 | 97 | 274 | 347 | 542 | 1.096 |
| 2,5 | 113 | 321 | 406 | 634 | 1.283 | 113 | 321 | 406 | 634 | 1.283 |
| 3 | 130 | 368 | 465 | 727 | 1.471 | 130 | 368 | 465 | 727 | 1.471 |
| 3,5 | 146 | 415 | 525 | 820 | 1.658 | 146 | 415 | 525 | 820 | 1.658 |
| 4 | 163 | 461 | 584 | 913 | 1.846 | 163 | 461 | 584 | 913 | 1.846 |
| 4,5 | 179 | 508 | 643 | 1.005 | 2.033 | 179 | 508 | 643 | 1.005 | 2.033 |
| 5 | 196 | 555 | 703 | 1.098 | 2.221 | 196 | 555 | 703 | 1.098 | 2.221 |
| 5,5 | 212 | 602 | 762 | 1.191 | 2.408 | 212 | 602 | 762 | 1.191 | 2.408 |
| 6 | 229 | 649 | 821 | 1.283 | 2.596 | 229 | 649 | 821 | 1.283 | 2.596 |
| 6,5 | 245 | 696 | 881 | 1.376 | 2.784 | 245 | 696 | 881 | 1.376 | 2.784 |
| 7 | 262 | 743 | 940 | 1.469 | 2.971 | 262 | 743 | 940 | 1.469 | 2.971 |
| 8 | 295 | 837 | 1.059 | 1.654 | 3.346 | 295 | 837 | 1.059 | 1.654 | 3.346 |
| 8,5 | 311 | 883 | 1.118 | 1.747 | 3.534 | 311 | 883 | 1.118 | 1.747 | 3.534 |
| 9 | 328 | 930 | 1.177 | 1.840 | 3.721 | 328 | 930 | 1.177 | 1.840 | 3.721 |
| 10 | 361 | 1.024 | 1.296 | 2.025 | 4.096 | 361 | 1.024 | 1.296 | 2.025 | 4.096 |

Kalkylerat enl. ISO EN: 4126-1

7N/7

KOMPOTEK

Ventiler och ventilautomation

KOMPOTEK SÄKERHETSVENTIL TYP 1216F & 1416C

Kapacitetstabell ånga (kg/h).
Övertryck 10%.

| Set gauge pressure (barg) | Saturated steam Temp. (°C) | Clamp/Clamp Serie 1216C | | | Clamp/Clamp Serie 1416C | | Clamp/BSP Serie 1216C | | | Clamp/BSP Serie 1416C | |
|---------------------------|----------------------------|-------------------------|--------|---------|-------------------------|---------|-------------------------|---------|---------|-------------------------|---------|
| | | 15 x 25 | 20x 25 | 25 x 25 | 25 x 25 | 40 x 40 | 15 x 1" | 20 x 1" | 25 x 1" | 25 x 1 1/2" | 40 x 2" |
| | | Orifice (mm) | | | Orifice (mm) | | Orifice (mm) | | | Orifice (mm) | |
| | | 9,5 | 16 | 18 | 22,5 | 32 | 9,5 | 16 | 18 | 22,5 | 32 |
| | | Area (mm ²) | | | Area (mm ²) | | Area (mm ²) | | | Area (mm ²) | |
| | | 71 | 201 | 254 | 398 | 804 | 71 | 201 | 254 | 398 | 804 |
| 0,5 | 111 | 31 | 89 | 113 | 176 | 356 | 31 | 89 | 113 | 176 | 356 |
| 1 | 120 | 42 | 120 | 152 | 238 | 482 | 42 | 120 | 152 | 238 | 482 |
| 1,5 | 127 | 54 | 152 | 192 | 300 | 607 | 54 | 152 | 192 | 300 | 607 |
| 2 | 134 | 65 | 183 | 232 | 362 | 733 | 65 | 183 | 232 | 362 | 733 |
| 2,5 | 138 | 76 | 214 | 271 | 424 | 858 | 76 | 214 | 271 | 424 | 858 |
| 3 | 144 | 87 | 246 | 311 | 486 | 983 | 87 | 246 | 311 | 486 | 983 |
| 3,5 | 147 | 98 | 277 | 351 | 548 | 1.109 | 98 | 277 | 351 | 548 | 1.109 |
| 4 | 153 | 109 | 309 | 390 | 610 | 1.234 | 109 | 309 | 390 | 610 | 1.234 |
| 4,5 | 155 | 120 | 340 | 430 | 672 | 1.360 | 120 | 340 | 430 | 672 | 1.360 |
| 5 | 159 | 131 | 371 | 470 | 734 | 1.485 | 131 | 371 | 470 | 734 | 1.485 |
| 5,5 | 161 | 142 | 403 | 510 | 796 | 1.610 | 142 | 403 | 510 | 796 | 1.610 |
| 6 | 165 | 153 | 434 | 549 | 858 | 1.736 | 153 | 434 | 549 | 858 | 1.736 |
| 6,5 | 167 | 164 | 465 | 589 | 920 | 1.861 | 164 | 465 | 589 | 920 | 1.861 |
| 7 | 170 | 175 | 497 | 629 | 982 | 1.987 | 175 | 497 | 629 | 982 | 1.987 |
| 7,5 | 172 | 186 | 528 | 668 | 1.044 | 2.112 | 186 | 528 | 668 | 1.044 | 2.112 |
| 8 | 175 | 197 | 559 | 708 | 1.106 | 2.237 | 197 | 559 | 708 | 1.106 | 2.237 |

Kalkylerat enl. ISO EN: 4126-1 och EN 1092-1